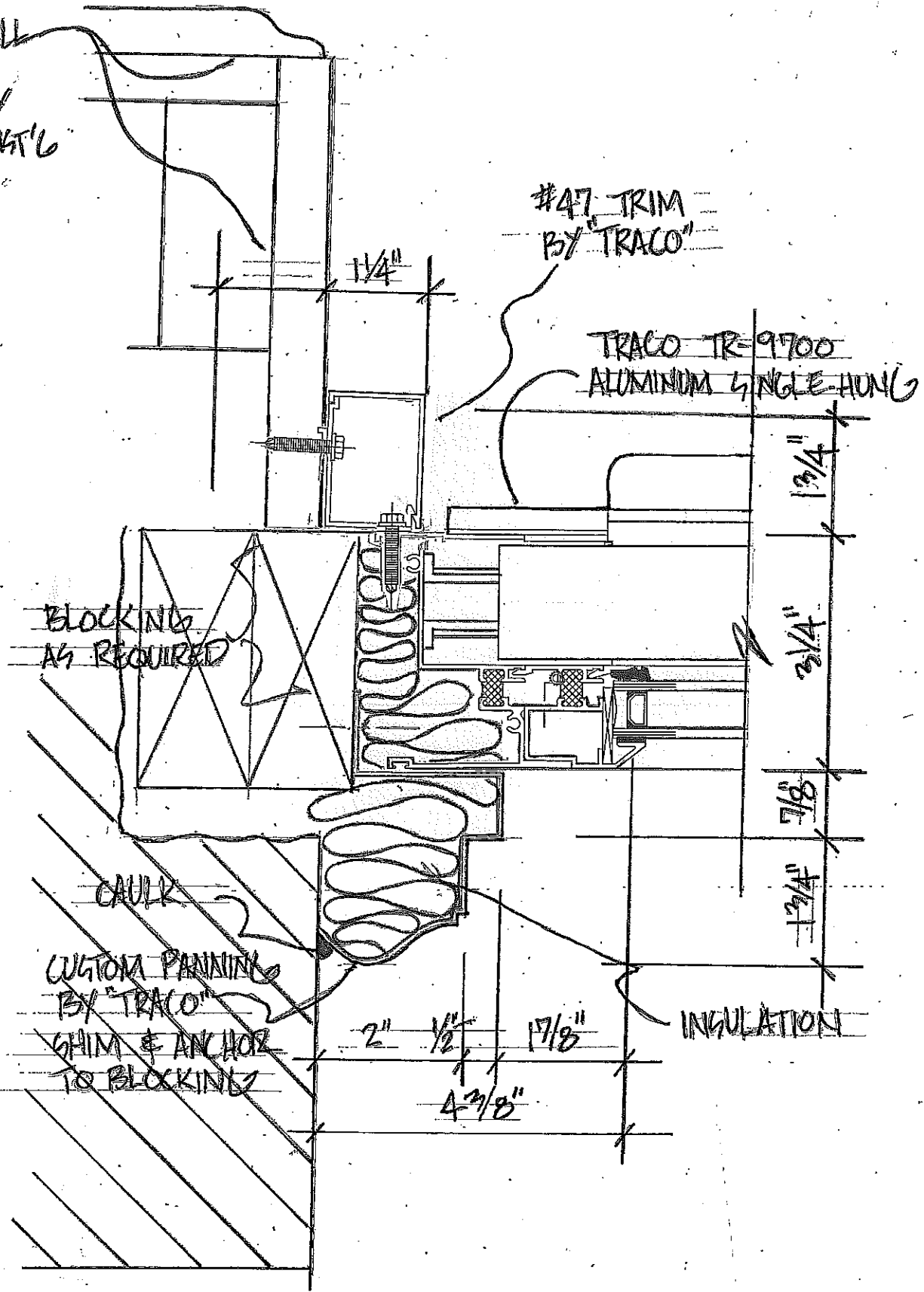
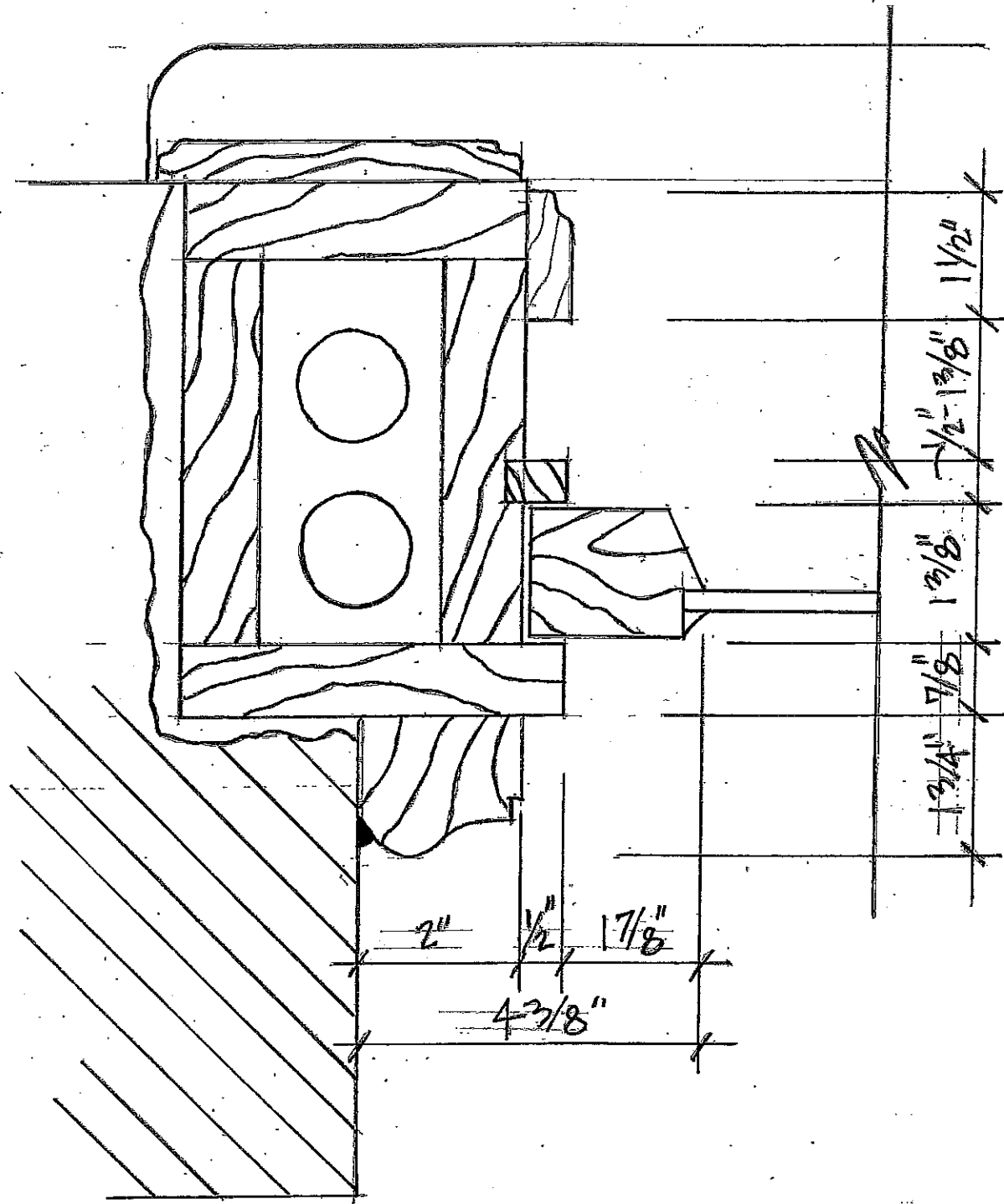


NEW WALL / DRYWALL
 & WOOD TRIM
 BY OTHERS. VERIFY
 DIMENSIONS FROM EXIST'G
 MASONRY OPENING.



WINDOW CONSULTANT:
 BLACKBERRY SYSTEMS INC.
 6477 WEST KL AVENUE
 KALAMAZOO, MICHIGAN

PROJECT:
 EAST MAIN REDEVELOPMENT
 12-16, 20, 28-32, 36-44 E. MAIN ST.
 MILAN, MICHIGAN